

## System Components Wall Readers

**WRM Contact less Smart Card:** SALTO offers a broad range of 13,56Mhz RFID Contact less Smart Card wall readers. They read encrypted data from the carriers and then communicate it to the control units. They also allow for updating of the carriers via the SALTO Virtual Network technology.

All models are IP 46 compliant making them suitable for use indoors and out, including environments exposed to harsh weather conditions.

Compatible with ISO 14.443A, ISO 14.443B and ISO 15.693 (Vicinity) and covering a wide range of mainstream RFID brands such as Mifare, DESfire, Legic, HID iClass and Picopass.

SALTO is compatible with NFC (Near Field Communication) technology which allows NFC enabled cell phones to act as contactless data carriers to open and control SALTO access controlled doors.



### **Main features and benefits:**

- Contactless reading of the carrier.
- NFC compatible (WRM9 series).
- Off-line and On-line units depending on the control unit connected.
- To be used with CU5000, CU50EN and CU50ENSVN Control Units.
- Red and Green coloured LED to indicate lock authorisation.
- Blue coloured LED to indicate carrier updating.
- For external use and protection against vandalism it can be used with FWAV and flush mounting base.
- Can be combined with Personal Identification Code pad for dual identification.
- Compatible with standard electrical boxes for easy fitting.
- Can be used for integration with other systems through the Wall Reader Adaptor.
- For Flush mounting or surface mounting depending on the base (to be ordered separately)
- Will read through many non-metallic materials

**Technical data:**

- Maximum cable length between the control unit and the wall reader: 100m.
- Connection to the control unit using UTP CAT 5 cable.
- IP-56 compliant.
- Size: 83 x 83 x 13,5 mm (W x H x D)
- Reading distance: Up-to 50mm depending on RFID technology.
- Off line versions available with PPD connector
- 5V supplied by the control unity.
- For surface mounting with the WRMBH.
- For flush mounting with WRMBL.

## WRM iButton

The WRM1000 & WRM2000 are SALTO iButton wall readers. They read data from the iButton carriers and then communicate it to the control units. They also allow for updating of the carriers via the SALTO Virtual Network technology.

The reader is IP 46 compliant and features a built-in heater making it suitable for use indoors and out, including environments exposed to harsh weather conditions.



### Main features and benefits:

- Reading by contact with the iButton.
- Can be flush or surface mounted depending on the base (available separately).
- WRM1000 to be used with CU2010.
- WRM2000 to be used with CU5000, CU50EN and CU50ENSVN Control Units.
- Red and Green coloured LED to indicate lock authorisation, only WRM2000.
- Blue coloured LED to indicate carrier updating.
- Built-in heater.
- For external use and protection against vandalism it can be used with the FWAV cover and flush mounting base.
- Compatible with standard electrical back boxes for easy fitting.
- Can be used for integration with other systems through the addition of the Wall Reader Adaptor or Control Unit Adaptor.

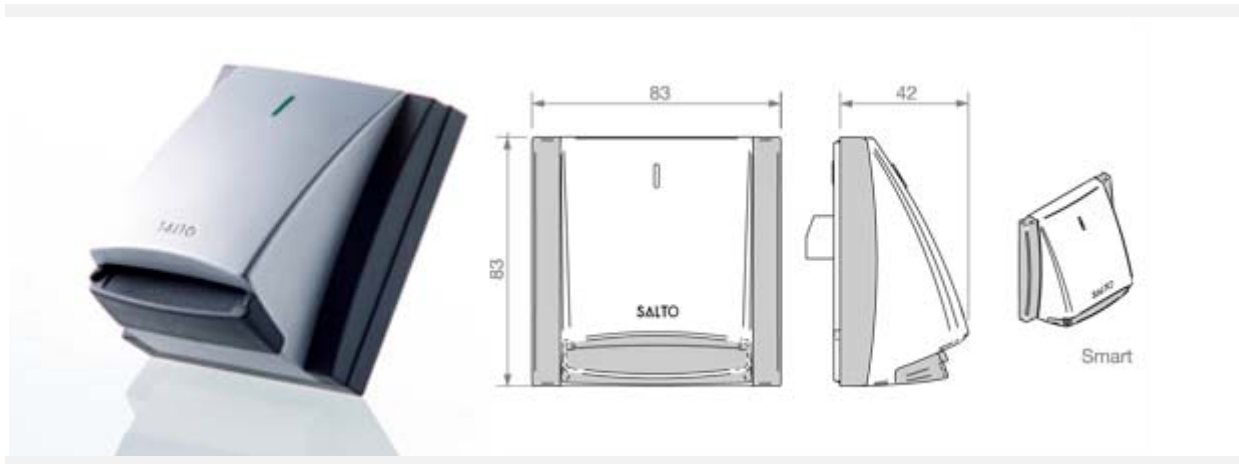
### Technical data:

- Body made of die cast Zinc Alloy
- Reader made of Stainless Steel
- IP-46 compliant
- The maximum cable length between the control unit and the wall reader is up-to 100mtrs. (WRM1000 50 mtrs.) With twisted pair cable
- Size: 83 x 83 x 16 mm (W x H x D)
- Connection to the control unit using UTP CAT 5 cable
- 5V supplied by the control unit
- For surface mounting with the WRMBH
- For flush mounting with WRMBL

## WRM Contact Smart Card

The WRM6000 is the SALTO Contact Smart Card wall reader. It reads encrypted data from the carriers and then communicates it to the control units. It also allows for updating of the carriers via the SALTO Virtual Network technology.

The WRM6000 features a built-in heater making it suitable for use indoors and out, including environments exposed to harsh weather conditions.



### Main features and benefits:

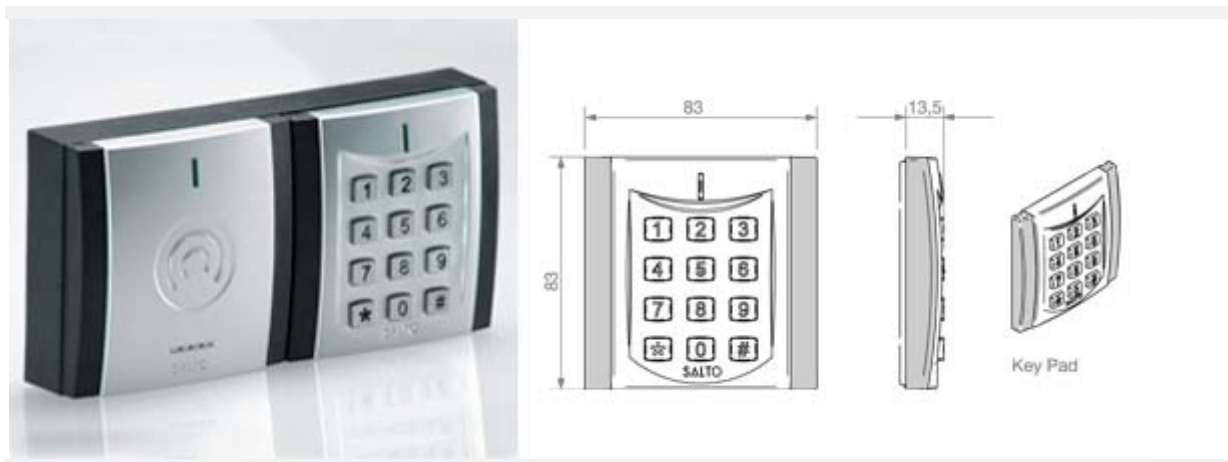
- Reading by contact of the chip on insertion of the card.
- Equipped with a protective reading slot for all weather use.
- To be used with CU5010, CU5000, CU50EN and CU50ENSVN.
- Red and Green coloured LED to indicate lock authorisation.
- Blue coloured LED to indicate carrier updating.
- With Heater incorporated.
- For external use and protection against vandalism it can be used with FWAV and flush mounting base.
- Can be combined with Personal Identification Code pad for dual identification (not available with CU5010).
- Compatible with standard electrical boxes for easy fitting.
- Can be used for integration with other systems through the Wall Reader Adaptor or Control Unit Adaptor.
- For Flush mounting or surface mounting depending on the base (to be ordered separately).
- Firmware upgradeable by means of PPD Firmware Updater.

### Technical data:

- Body made of die cast Zinc Alloy
- Card slot made in PC + ABS UL94 V0
- Maximum cable length between the control unit and the wall reader: 100m with CU5000, CU50EN and CU50ENSVN and 50m with the CU5010
- Connection to the control unit using UTP CAT 5 cable
- Size: 83 x 83 x 42 mm (W x H x D)
- 5V supplied by the control unit
- For surface mounting with the WRMBH
- For flush mounting with WRMB

## WRMKP Key Pad

Compatible with SALTO WRM 2000, 6000, 7000, 7001, 8000, 8001, 9000 and 9001 wall readers, the WRMKP keypad allows for additional use of a Personal Identification Number (PIN). It should be mounted on one of the SALTO WRM double mount bases.



### Main features and benefits:

- PIN needed with ID carrier to gain access and obtain card update
- Door code only option for none key holders.
- PIN needed for SVN key update.
- Timed PIN option for ID carrier only operation and then ID carrier plus PIN use.

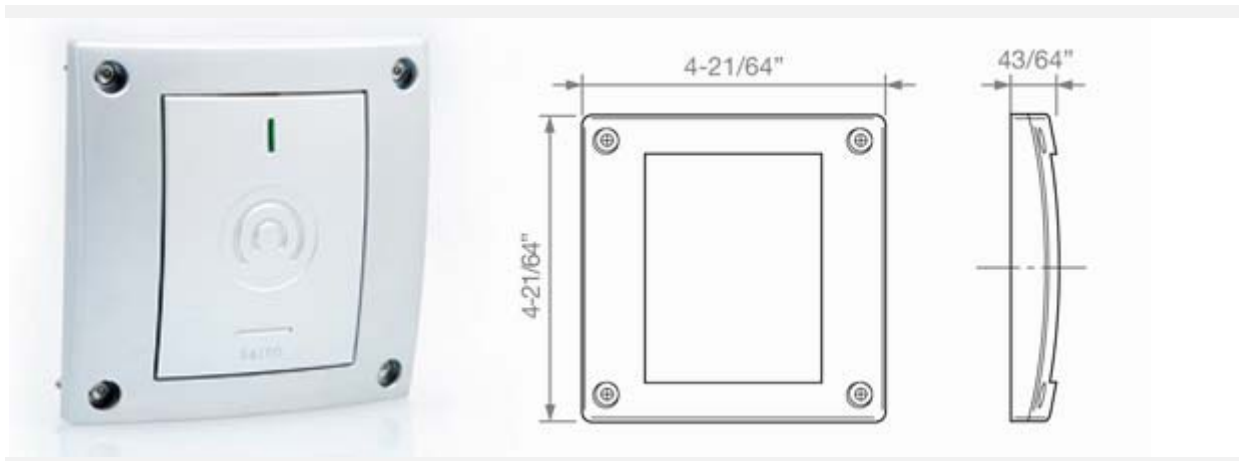
### Technical data

- Body made of die cast Zinc Alloy with Satin Chrome finishing
- Keys made of AISI 316 L Stainless Steel
- IP-56 compliant
- Size: 83 x 83 x 13,5 mm (W x H x D)
- 5V Supplied by the WRM wall reader
- For surface mounting with the WRMBH
- For flush mounting with WRMBL
- Connection to the wall reader with a built in cable

## WRMFWAV

### Anti Vandal Frame

Accessory designed to protect the WRM from adverse and violent environments.



### Main features:

Made of die cast Zinc Alloy with Satin Chrome finishing.

Fastened with Torx 10 Anti Tamper Screws.

To be fitted with WRMBLE (included with the WRMFWAV).

### Mounting options for modular wall readers:

Single and double bases for surface mounting

Single and double bases for flush mounting

