

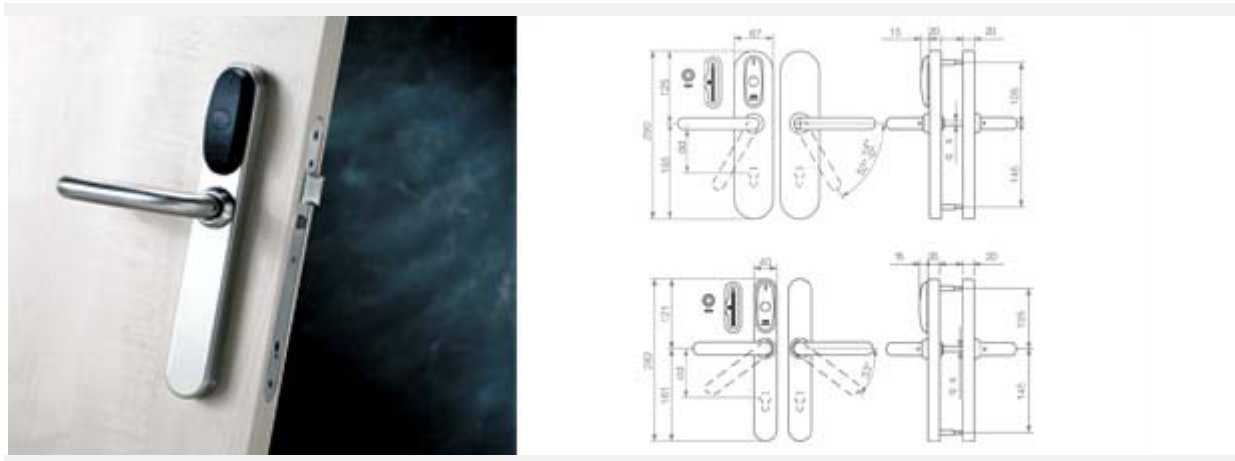
System Components Handle Sets

Handle Sets For Existing Locks:

XS4 Comfort Electronic handle sets for European Mortise Locks

XS4 is the new access control platform from SALTO enabling users to control and manage a greater range of applications than ever before. Smart, secure and innovative, XS4 Comfort Electronic handle sets need no hard wiring and provide a totally wire free networked electronic locking solution with a great range of features.

The XS4-40 narrow version and the XS4-67 wide body version are specially designed to fit on most Euro profile doors, and work with the majority of European mortise locks and cylinders.



Main features and benefits:

- Virtual network capable.
- User on card audit trail capability for audit via SALTO Virtual Network (SVN)
- Available in I-Button, Contact Smart Card and RFID versions.
- Compatible with ISO 14.443A, ISO 14.443B and ISO 15.693 (Vicinity) and covering a wide range of mainstream RFID brands such as Mifare, DESfire, Legic,
- HID iClass and Picopass.
- SALTO is compatible with NFC (Near Field Communication) technology which allows NFC enabled cell phones to act as contact-less data carriers to open and control SALTO access controlled doors.
- The lock can always be opened from the inside (a single action panic feature works in conjunction with the relevant mortise lock).
- Simple off-line installation is possible on any type of door, including those with narrow frames.
- Covers door thicknesses of between 30-115mm.
- Low battery power indication monitored through the SALTO Virtual Network (SVN) as low battery status information is written onto carriers and passed to the software. Also readings can be taken at the lock and passed to the software via PPD connection. Emergency opening by means of portable programming device (PPD).
- Office mode ("passage" setting) for leaving doors in free access mode available.
- Ability to work with the majority of European lock types, including Swiss cylinders and some tubular latches.

- Available with mechanical cylinder cut outs for key override or access lockouts in all of the above-mentioned locks. Available in 7, 8 and 9mm spindle versions.
- Choice of 40mm narrow or 67mm wide body.
- Extreme security through advanced hardened high resistance anti-drill plates to protect wires and reader area and additional extreme protection through hardened axes and floating steel balls in the handle area.
- Concealed fixing screws for greater security and improved aesthetics.
- Mechanical override with an audit trail facility.
- ADA (Americans with Disability Act) compliant (depending on handle type)

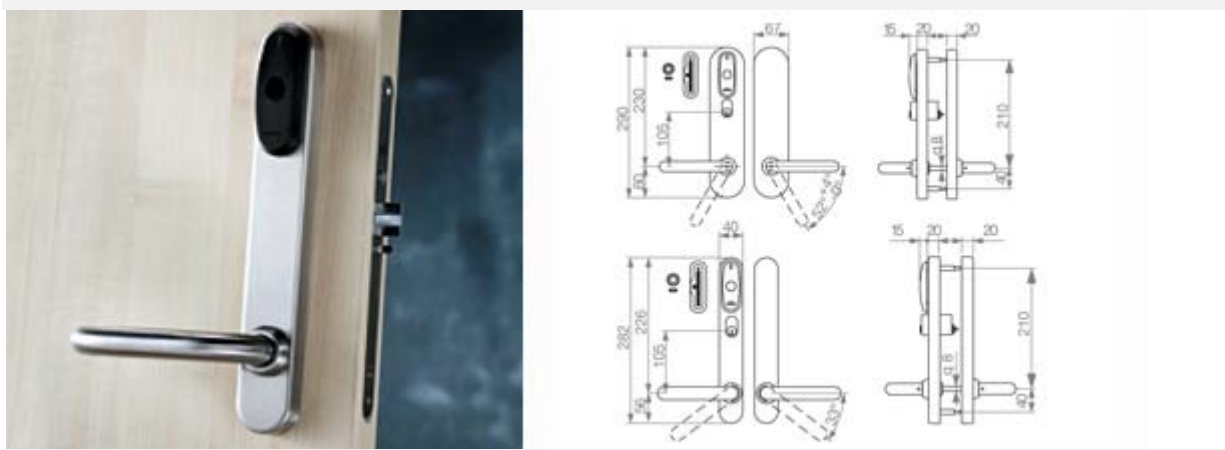
Technical data:

- Current required: 3 alkaline batteries - LR03 - AAA 1,5V – Optional 3
- Lithium batteries FR03 - AAA 1,5V (see environmental conditions). In case of XS4 67 Models LR6 - AA batteries are required.
- Number of openings: from 30.000 openings (RFID) up-to 90.000 o 1 set of batteries.
- Environmental conditions: External escutcheon: -20° / 70° C Internal electronic handle sets: -20° / 70° C (with Lithium batteries).
- Highest EN standards including EN1906 level 2 & 3.
- IP46 Protection rating in the case of I-Button and RFID.
- Handle degree of turn: version Ex65 52°, version Ex45 33°
- Maximum number of users per door: 64.000
- Maximum number of doors in a system; 64.000
- Maximum events on lock audit :1000
- Time zones: 256
- Time periods: 30
- Calendars in system: 256
- Zones in system: 1024
- User groups: unlimited
- Available lock modes:
- Standard (locked at all times).
- Office (free passage), & timed office (automatic locking at end time).
- Automatic opening (8 pairs of “hands free” timed lock and unlocks per day with holidays).
- Toggle (present card to lock, present card to unlock), & time toggle (automatic locking at end time).

XS4 Comfort Electronic handle sets for European Mortise Locks

XS4 is the new access control platform from SALTO enabling users to control and manage a greater range of applications than ever before. Smart, secure and innovative, XS4 Comfort Electronic handle sets for Scandinavian locks have been specially designed to operate on existing Scandinavian Modular locks. Like the European versions they need no hard wiring and provide a totally wire free networked electronic locking solution with a great range of features.

The XS4-40 narrow version and the XS4-67 wide body version are specially designed to fit on most Scandinavian profile doors, and work with most Scandinavian mortise locks and cylinders.



Main features and benefits:

- Main features and benefits:
- Virtual network capable.
- User on card audit trail capability for audit via SALTO Virtual Network (SVN)
- Available in I-Button, Contact Smart Card and RFID versions.
- Compatible with ISO 14.443A, ISO 14.443B and ISO 15.693 (Vicinity) and covering a wide range of mainstream RFID brands such as Mifare,
- DESfire, Legic, HID iClass and Picopass.
- SALTO is compatible with NFC (Near Field Communication) technology which allows NFC enabled cell phones to act as contact-less data carriers to open and control SALTO access controlled doors.
- The lock can always be opened from the inside (a single action panic feature works in conjunction with the relevant mortise lock).
- Simple off-line installation is possible on any type of door, including those with narrow frames.
- Covers door thicknesses of between 30-115mm.
- Low battery power indication monitored through the SALTO Virtual Network (SVN) as low battery status information is written onto carriers and passed to the software.
- Also readings can be taken at the lock and passed to the software via PPD connection. Emergency opening by means
- of portable programming device (PPD).
- Office mode ("passage" setting) for leaving doors in free access mode available.
- Choice of 40mm narrow or 67mm wide body.
- Extreme security through advanced hardened high resistance anti-drill plates to protect wires and reader area and additional extreme protection through hardened axes and floating steel balls in the handle area.
- Concealed fixing screws for greater security and improved aesthetics.
- Mechanical override with audit trail facility.
- ADA (Americans with Disability Act) compliant (depending on handle type)

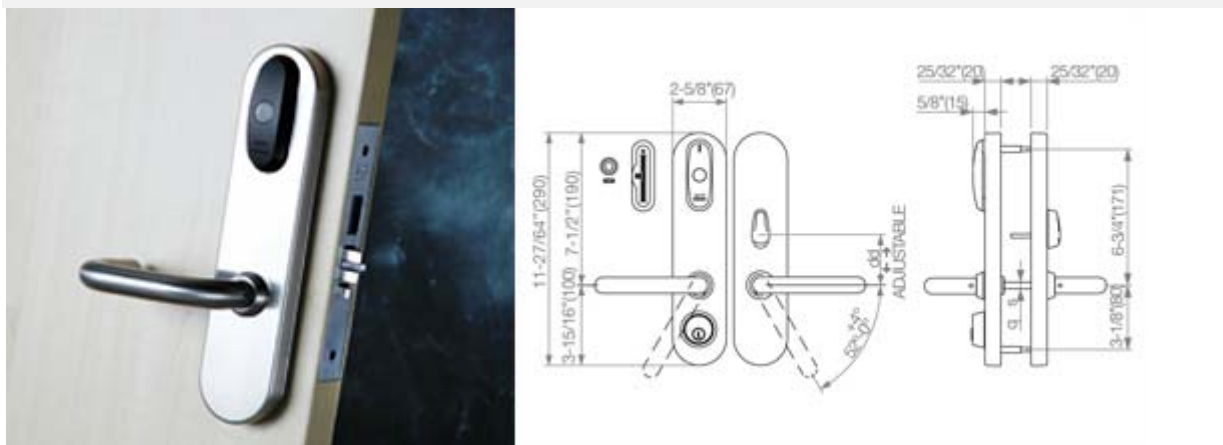
Technical data:

- Current required: 3 alkaline batteries - LR03 - AAA 1,5V – Optional 3
- Lithium batteries FR03 - AAA 1,5V (see environmental conditions). In case of XS4 67 Models, LR6 - AA batteries are required.
- Number of openings: from 30,000 openings (RFID) up-to 90.000 on 1 set of batteries.
- Environmental conditions: External escutcheon: -20° / 70° C Internal electronic handle sets: -20° / 70° C (with Lithium batteries).
- Highest EN standards including EN1609 level 2 & 3.
- IP54 Protection rating in the case of I-Button and RFID. Handle degree of turn: version Sx65 52°, version Sx45 33°
- Maximum number of users per door: 64.000
- Maximum number of doors in a system; 64.000
- Maximum events on lock audit :1000
- Time zones: 256
- Time periods: 30
- Calendars in system: 256
- Zones in system: 1024
- User groups: unlimited
- Available lock modes:
 - Standard (locked at all times)
 - Office (free passage), & timed office (automatic locking at end time).
 - Automatic opening (8 pairs of “hands free” timed lock and unlocks per day with holidays).
 - Toggle (present card to lock, present card to unlock), & timed toggle (automatic locking at end time).

XS4 Comfort Electronic handle sets for European Mortise Locks

XS4 is the new access control platform from SALTO enabling users to control and manage a greater range of applications than ever before. Smart, secure and innovative, XS4 Comfort Electronic handle sets need no hard wiring and provide a totally wire free networked electronic locking solution with a great range of features.

This version is specially designed to be compatible with most ANSI mortise locks and tubular latches.



Main features and benefits:

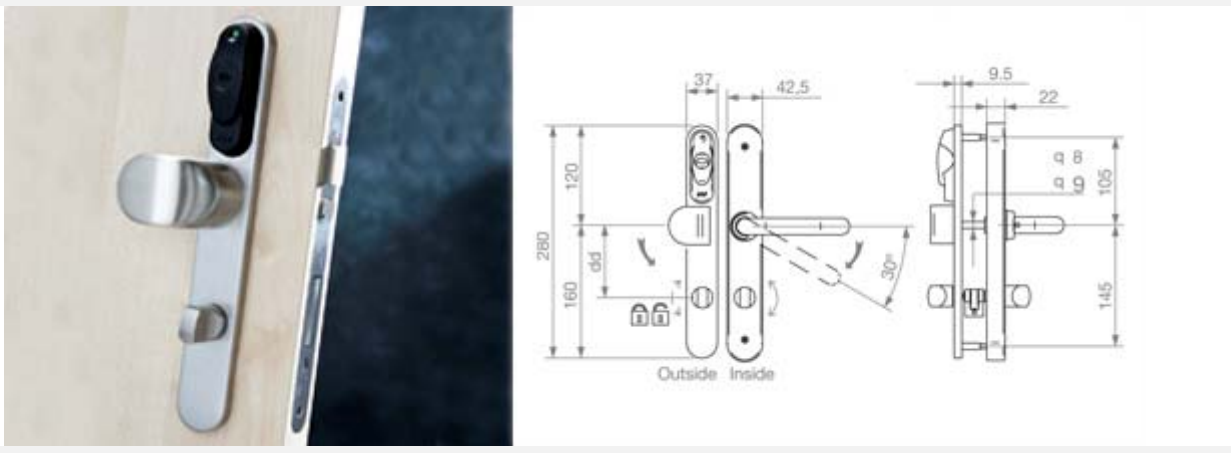
- Virtual network capable.
- User on card audit trail capability for audit via SALTO Virtual Network (SVN)
- Available in I-Button, Contact Smart Card and RFID versions.
- Compatible with ISO 14.443A, ISO 14.443B and ISO 15.693 (Vicinity) and covering a wide range of mainstream RFID brands such as Mifare, DESfire, Legic, HID iClass and Picopass.
- SALTO is compatible with NFC (Near Field Communication) technology which allows NFC enabled cell phones to act as contact-less data carriers to open and control SALTO access controlled doors.
- The lock can always be opened from the inside (a single action panic feature works in conjunction with the relevant mortise lock).
- Simple off-line installation is possible on any type of door, including those with narrow frames.
- Covers door thicknesses of between 30-115mm.
- Low battery power indication monitored through the SALTO Virtual Network (SVN) as low battery status information is written onto carriers and passed to the software. Also readings can be taken at the lock and passed to the software via PPD connection. Emergency opening by means of portable programming device (PPD).
- Office mode ("passage" setting) for leaving doors in free access mode available.
- 67mm wide body.
- Concealed fixing screws for greater security and improved aesthetics.
- Extreme security through advanced hardened high resistance anti-drill plates to protect wires and reader area and additional extreme protection through hardened axes and floating steel balls in the handle area.
- Available in 8mm standard spindle and 7mm diamond spindle.
- Mechanical override with an audit trail facility (1 1/8" Mortise cylinder). ADA (Americans with Disabilities Act) compliant (depending on handle model).

Technical data:

- Current required: 3 alkaline batteries - LR6 - AA 1,5V – Optional
- Lithium batteries FR6 - AA 1,5V (see environmental conditions).
- Number of openings: from 30.000 openings (RFID) up-to 90.000 on 1 set of batteries.
- Environmental conditions: External escutcheon: -20° / 70° C Internal electronic handle sets: -20° / 70° C (with Lithium batteries).
- Highest EN standards including EN1609 level 2 & 3. IP54 Protection rating in the case of I-Button and RFID.
- Handle degree of turn: version Ax65 52°
- Maximum number of users per door: 64.000
- Maximum number of doors in a system; 64.000
- Maximum events on lock audit :1000
- Time zones: 256
- Time periods: 30
- Calendars in system: 256
- Zones in system: 1024
- User groups: unlimited
- Available lock modes: standard and (locked at all times)
- Office (free passage), & timed office (automatic locking at end time) automatic opening (8 pairs of “hands free” timed lock and unlocks per day with holidays), toggle (present card to lock, present card to unlock), & timed toggle (automatic locking at end time)

Security Electronic handle sets for European and Scandinavian Mortise Locks

The SALTO security range is ideal for use on doors where a higher level of security protection is required. Their tough vandal resistant construction protects the locks against attack and unauthorised entry, without losing the access flexibility or control of the system.



Main features and benefits:

- Virtual network capable.
- User on card audit trail capability for audit via SALTO Virtual Network (SVN)
- Available in I-Button, Contact Smart Card and RFID versions.
- Compatible with ISO 14.443A, ISO 14.443B and ISO 15.693 (Vicinity) and covering a wide range of mainstream RFID brands such as Mifare, DESfire, Legic, HID iClass and Picopass.
- SALTO is compatible with NFC (Near Field Communication) technology which allows NFC enabled cell phones to act as contact-less data carriers to open and control SALTO access controlled doors.
- Electronic turn control of mortise deadbolt, latch or hook bolt operation depending on mortise lock functionality) via Euro profile cylinder cut out.
- The lock can always be opened from the inside (an anti-panic feature works in combination with the lock).
- Hardened steel anti-drill plates and vandal resistance protection due to the electronics being housed in the inner backplate.
- Simple off-line installation is possible on any type of door, including those with narrow frames.
- Covers door thicknesses of between 30-115mm.
- Low battery power indication monitored through the SALTO Virtual Network (SVN) as low battery status information is written onto carriers and passed to the software. Also readings can be taken at the lock and passed to the software via PPD connection.
- Emergency opening by means of portable programming device (PPD).
- Office mode ("passage" setting) for leaving doors in free access mode available.
- Ability to work with the majority of European lock types, including
- Scandinavian mortise locks, Swiss cylinders and tubular latches.
- Will work with multi point locking systems.
- DDA (Disability Discrimination Act) compliant (depending on handle type).

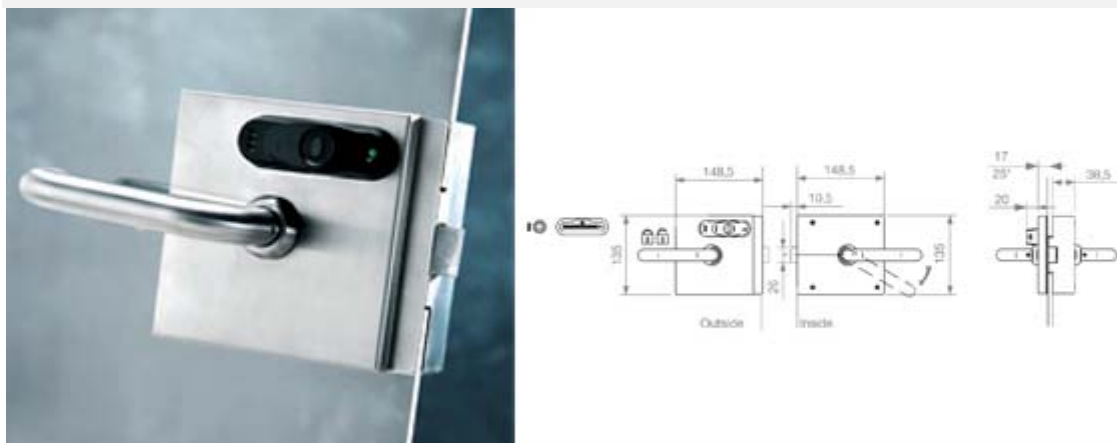
Technical data:

- Current required: 3 alkaline batteries - LR03 - AAA 1,5V – Optional 3
- Lithium batteries FR03 - AAA 1,5V (see environmental conditions)
- Number of openings: from 30,000 openings (RFID) up-to 90.000 on 1set of batteries
- Environmental conditions: External escutcheon: -20° / 70° C Internal electronic handle sets: -20° / 70° C (with Lithium batteries).
- IP46 Protection rating in the case of I-Button and RFID
- Version Ex2x 30°, version Sx2x 30° also available handle free float version.
- Maximum number of users per door: 64.000
- Maximum number of doors in a system; 64.000
- Maximum events on lock audit: 1000
- Time zones: 256
- Time periods: 30
- Calendars in system: 256
- Zones in system: 1024
- User groups: unlimited
- Available lock modes:
 - Standard (locked at all times)
 - Office (free passage), & timed office (automatic locking at end time)
 - Automatic opening (8 pairs of “hands free” timed lock and unlocks per day with holidays)
 - Toggle (present card to lock, present card to unlock), & timed toggle (automatic locking at end time)

XS4 Glass door lock

XS4 is the new access control platform from SALTO enabling users to control and manage a greater range of applications than ever before. Smart, secure and innovative, XS4 Comfort Electronic handle sets need no hard wiring and provide a totally wire free networked electronic locking solution with a great range of features.

The XS4 glass door lock is stylish and modern and is compatible with a wide range of glass door designs, including those already fitted with built-in locks.



Main features and benefits:

- Virtual network capable.
- User on card audit trail capability for audit via SALTO Virtual Network (SVN)
- Available in I-Button, Contact Smart Card and RFID versions.
- Compatible with ISO 14.443A, ISO 14.443B and ISO 15.693 (Vicinity) and covering a wide range of mainstream RFID brands such as Mifare, DESfire, Legic, HID iClass and Picopass.
- SALTO is compatible with NFC (Near Field Communication) technology which allows NFC enabled cell phones to act as contact-less data carriers to open and control SALTO access controlled doors.
- The lock can always be opened from the inside (a panic feature works in combination with the lock).
- Its “sandwich body” design makes for easy installation without having to replace the door.
- Low battery power indication monitored through the SALTO Virtual Network (SVN) as low battery status information is written onto carriers and passed to the software. Also readings can be taken at the lock and passed to the software via PPD connection.
- Emergency opening by means of portable programming device (PPD).
- Office mode (“passage” setting) for leaving doors in free access mode available.
- Mortice lock incorporated in to the electronic handle set.
- ADA (Americans with Disability Act) compliant (depending on handle type)

Technical data:

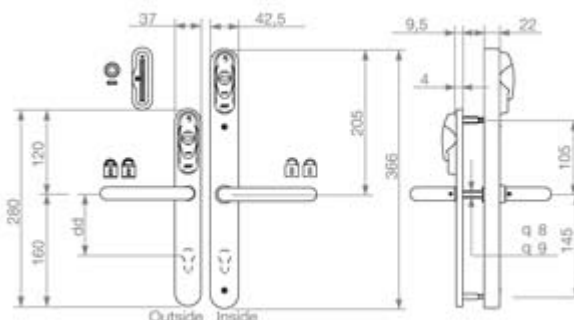
- Current required: 3 alkaline batteries - LR03 - AAA 1,5V – Optional 3 Lithium batteries FR03 - AAA 1,5V (see environmental conditions).
- Number of openings: from 30.000 openings (RFID) up-to 90.000 on 1 set of batteries.
- Environmental conditions: External escutcheon: -20° / 70° C Internal electronic handle sets: -20° / 70° C (with Lithium batteries).
- IP46 Protection rating in the case of I-Button and RFID.
- Handle degree of turn: 30°
- Maximum number of users per door: 64.000

- Maximum number of doors in a system; 64.000
- Maximum events on lock audit: 1000
- Time zones in system: 256
- Time periods: 30
- Calendars in system: 256
- Zones: 1024
- User groups: unlimited
- Available lock modes:
 - Standard (locked at all times)
 - Office (free passage), & timed office (automatic locking at end time)
 - Automatic opening (8 pairs of "hands free" timed lock and unlocks per day with holidays)
 - Toggle (present card to lock, present card to unlock), and timed toggle (automatic locking at end time)

XS4 double reader

XS4 is the new access control platform from SALTO enabling users to control and manage a greater range of applications than ever before. Smart, secure and innovative, XS4 Comfort Electronic handle sets need no hard wiring and provide a totally wire free networked electronic locking solution with a great range of features.

XS4 double reader electronic handle sets control both entry and exit access of a door. Its audit trail facility can identify both entry and exit actions and it can be fitted in almost any type of Euro profile door. It will also work with a wide range of locks including Swiss cylinders.



Main features and benefits:

- Virtual network capable.
- User on card audit trail capability for audit via the SALTO Virtual Network (SVN).
- The lock can identify who is entering or exiting the door and record this event.
- Dual handle blocking mechanism.
- Available in I-Button, Contact Smart Card and RFID versions.
- Identifies entry and exit in RFID and Smart Card models.
- Compatible with ISO 14.443A, ISO 14.443B and ISO 15.693 (Vicinity) and covering a wide range of mainstream RFID brands such as Mifare, DESfire, Legic, HID iClass and Picopass.
- SALTO is compatible with NFC (Near Field Communication) technology which allows NFC enabled cell phones to act as contact-less data carriers to open and control SALTO access controlled doors.
- Simple off-line installation is possible on any type of door, including those with narrow frames.
- Covers door thicknesses of between 30-115mm.
- Low battery power indication monitored through the SALTO Virtual Network (SVN) as low battery status information is written onto carriers and passed to the software. Also readings can be taken at the lock and passed to the software via PPD connection.
- Emergency opening by means of portable programming device (PPD).
- Office mode ("passage" setting) for leaving doors in free access mode available.
- Ability to work with the majority of European lock types, including Swiss cylinders and some tubular latches.
- Available with mechanical cylinder cut outs for key override or access lock outs in all of the above mentioned locks.
- ADA (Americans with Disability Act) compliant (depending on handle type)

Technical data:

- Current required: 3 alkaline batteries - LR03 - AAA 1,5V – Optional 3
- Lithium batteries FR03 - AAA 1,5V (see environmental conditions)
- Number of openings: from 30.000 openings (RFID) up-to 90.000 on 1 set of batteries
- Environmental conditions: External escutcheon: -20° / 70° C Internal electronic handle sets: -20° / 70° C (with Lithium batteries)
- IP46 Protection rating in the case of I-Button and RFID
- Doble lector: Handle degree of turn: 30°
- Maximum number of users per door: 64.000
- Maximum number of doors in a system: 64.000
- Maximum events on lock audit: 1000
- Time zones in system: 256
- Time periods: 30
- Calendars in system: 256
- Zones: 1024
- User groups: unlimited
- Available lock modes:
 - Standard (locked at all times)
 - Office (free passage), & timed office (automatic locking at end time)
 - Automatic opening (8 pairs of “hands free” timed lock and unlocks per day with holidays)
 - Toggle (present card to lock, present card to unlock), & timed toggle (automatic locking at end time)

Handles:

XS4 offers a wide choice of functional and Italian styled designer handles suitable for use on any type of door. Many of the lever handles have been designed to meet the latest ADA (Americans with Disability Act) requirements, ensuring they are simple and easy for anyone to operate. Various finish options are available to allow for contemporary or classic styling to match any taste and design in décor, and to help in ADA impaired vision requirements.



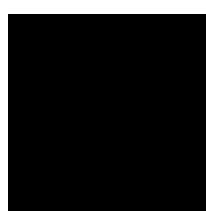
Finishes: Stainless steel handle finishes Ref.: U/H/C/S/B/P/A



Satin Stainless steel



Polished stainless steel



Black



White

Coloured

Finishes: Brass handle finishes Ref.: U/K/O



Polished brass



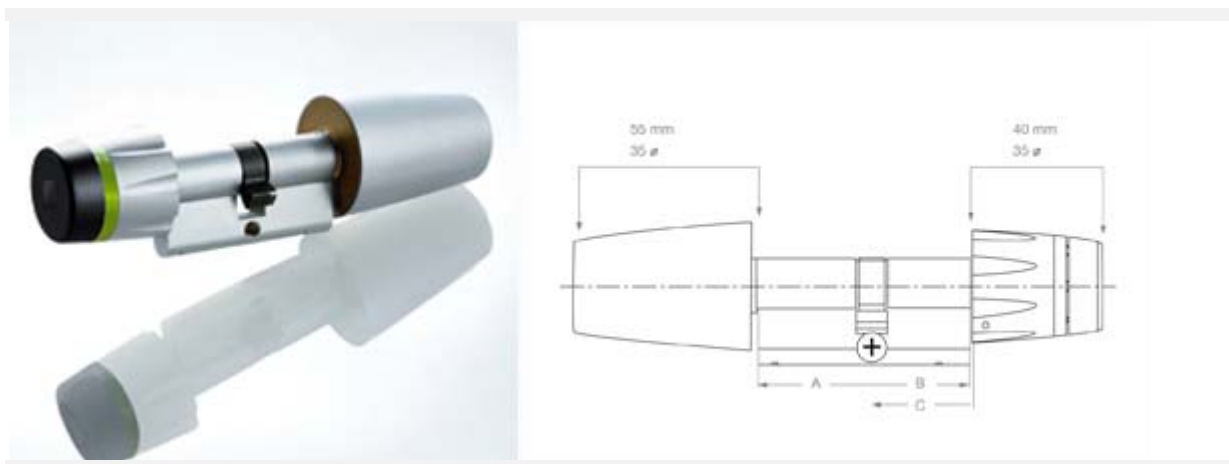
Antique Brass



Satin brass

E-cylinders

The electronic SALTO/EVVA thumb turn cylinder is, an excellent access control solution for those doors where fitting an electronic handle set is not possible, like for instance an antique door of a protected building. The exchange of data on changes of authorizations and on events is carried out by the means of the virtual network of the respective identification media.



Main features and benefits:

- Virtual network SVN.
- The cylinder can always be opened from the inside (panic function).
- Available in I-Button and RFID versions.
- SALTO is compatible with NFC (Near Field Communication) technology which allows NFC enabled cell phones to act as contact-less data carriers to open and control SALTO access controlled doors.
- Easy offline installation for all types of doors (also tubular steel doors). “Empty battery“ indication by software via SVN. Information on battery status is written on the identification medium.
- Automatic change to/from daylight saving time.
- Free access mode available.
- In particular designed for Euro-profile and Swiss Round.
- Visual and acoustic indications.
- Emergency opening by means of PPD.
- Blocking mechanism module and battery in the protected interior of the escutcheon.
- Firmware upgradeable by means of PPD Firmware Updater.
- No loss of data and time when changing batteries.

Technical data:

- Battery: 1 Lithium battery CR17345
- Duration: 30.000 openings RFID 60.000 openings I-Button
- Type of protection: IP 46 being tested
- Identification media: I-Button RW and RFID
- Number of users: max. 64.000
- Memory: max. 1.000 events
- Opening mode: Standard, Automatic opening, Toggle, and Timed toggle